

1	
2	
3	
4	
5	
6	
7	
8	
9	
10	
11	
12	
13	
14	
15	
16	
17	
18	
19	

**STANDARD EXECUTIONS**

Body and lever made out of cast AISI 316 stainless steel for welding, AISI 316Ti stainless steel spring, AISI 316 stainless steel plunger:

- **GN 722.1-A-A4**: square body, with mounted operating lever.
- **GN 722.1-AU-A4**: square body, with unmounted operating lever.
- **GN 722.1-R-A4**: circular body, with mounted operating lever.
- **GN 722.1-RU-A4**: circular body, with unmounted operating lever.

Grub screw  
Stainless Steel A4

**FEATURES AND APPLICATIONS**

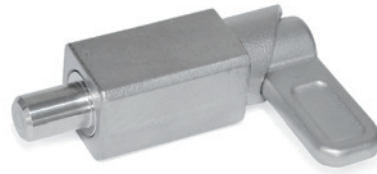
GN 722.1 lever indexing plungers are used when the plunger must be retracted quickly.

By rotating through 180° the lifting lever stops on the notch, keeping the plunger in the retracted position.

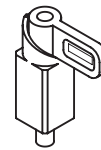
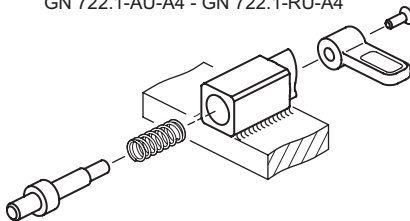
AISI 316 stainless steel is suitable for use in particularly aggressive environments.

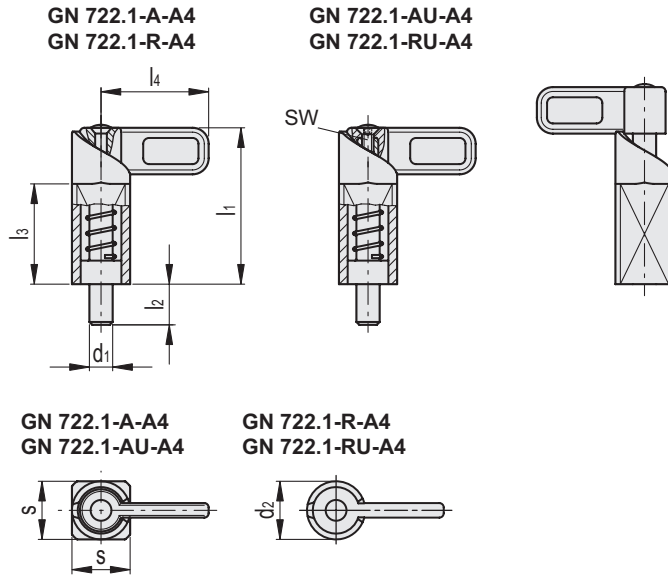
The dimensional tolerances between plunger pin and guide are selected so that the functional reliability is guaranteed even after welding, applying a corrosion protection layer or in case of contamination.

In the case of fixing by welding, the unassembled AU version is particularly recommended to avoid alterations to the microstructure of the material due to the heating of the spring and the plunger. In this case, the spring indexing plunger is assembled only after the surface treatment of the welded guide.



Assembly instruction  
GN 722.1-AU-A4 - GN 722.1-RU-A4





Conversion Table 1 mm = 0.039 inch	
d1	
mm	inch
8	0.31
10	0.39
12	0.47
14	0.55
16	0.62
20	0.78

GN 722.1-A-A4

INOX STAINLESS STEEL METRIC

Code	Description	d1 Plunger -0.05 -0.25 Hole +0.1 +0.3	l1	l2	l3	l4	s	sw	Spring preload [N]	Spring max load [N]	⚖️
GN.39356	GN 722.1-8-20-A-A4	8	54	14	35	37	20	2.5	14	35	142
GN.39357	GN 722.1-10-20-A-A4	10	54	14	35	37	20	2.5	14	35	146
GN.39358	GN 722.1-12-20-A-A4	12	54	14	35	37	20	2.5	14	35	148
GN.39359	GN 722.1-14-20-A-A4	14	54	14	35	37	20	2.5	14	35	150
GN.28931	GN 722.1-16-30-A-A4	16	83	20	54	55	30	4	22	70	612
GN.28941	GN 722.1-20-30-A-A4	20	83	20	54	55	30	4	22	70	643

GN 722.1-AU-A4

Code	Description	d1 Plunger -0.05 -0.25 Hole +0.1 +0.3	l1	l2	l3	l4	s	Spring preload [N]	Spring max load [N]	⚖️
GN.28911	GN 722.1-8-20-AU-A4	8	54	14	35	37	20	14	35	142
GN.28916	GN 722.1-10-20-AU-A4	10	54	14	35	37	20	14	35	146
GN.28921	GN 722.1-12-20-AU-A4	12	54	14	35	37	20	14	35	148
GN.28926	GN 722.1-14-20-AU-A4	14	54	14	35	37	20	14	35	150
GN.28933	GN 722.1-16-30-AU-A4	16	83	20	54	55	30	22	70	612
GN.28943	GN 722.1-20-30-AU-A4	20	83	20	54	55	30	22	70	643

GN 722.1-R-A4

Code	Description	d1 Plunger -0.05 -0.25 Hole +0.1 +0.3	d2	l1	l2	l3	l4	Spring preload [N]	Spring max load [N]	⚖️
GN.45395	GN 722.1-8-20-R-A4	8	20	54	14	35	37	14	35	121
GN.45375	GN 722.1-10-20-R-A4	10	20	54	14	35	37	14	35	123
GN.45379	GN 722.1-12-20-R-A4	12	20	54	14	35	37	14	35	125
GN.45383	GN 722.1-14-20-R-A4	14	20	54	14	35	37	14	35	129
GN.45387	GN 722.1-16-30-R-A4	16	30	83	20	54	55	22	70	433
GN.45391	GN 722.1-20-30-R-A4	20	30	83	20	54	55	22	70	452

GN 722.1-RU-A4

Code	Description	d1 Plunger -0.05 -0.25 Hole +0.1 +0.3	d2	l1	l2	l3	l4	sw	Spring preload [N]	Spring max load [N]	⚖️
GN.45397	GN 722.1-8-20-RU-A4	8	20	54	14	35	37	2.5	14	35	121
GN.45377	GN 722.1-10-20-RU-A4	10	20	54	14	35	37	2.5	14	35	123
GN.45381	GN 722.1-12-20-RU-A4	12	20	54	14	35	37	2.5	14	35	125
GN.45385	GN 722.1-14-20-RU-A4	14	20	54	14	35	37	2.5	14	35	129
GN.45389	GN 722.1-16-30-RU-A4	16	30	83	20	54	55	4	22	70	433
GN.45393	GN 722.1-20-30-RU-A4	20	30	83	20	54	55	4	22	70	452

